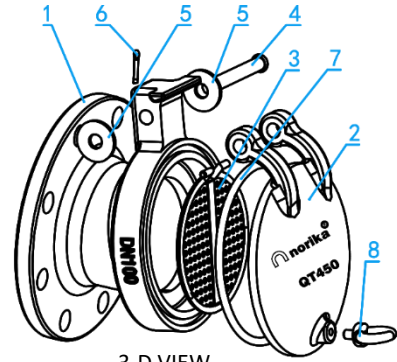
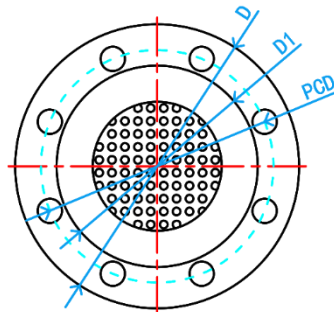


# EPOXY-COATED DUCTILE IRON WAFER FLAP CHECK VALVE

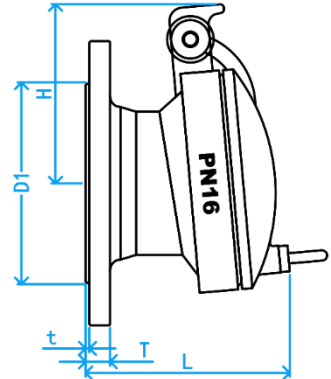
COMPLY WITH EN 1092-2



3-D VIEW



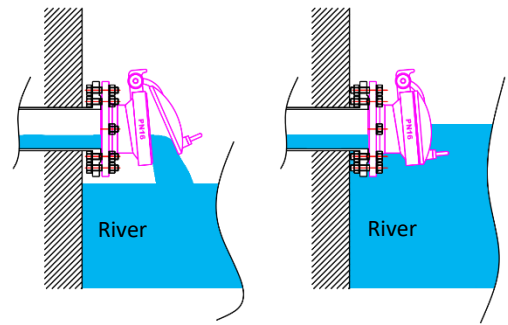
SIDE VIEW



- The valve device installed at the end of the drainage pipeline, is mainly used to prevent backflow of external water. It is widely used in fields such as water conservancy, municipal engineering, and sewage treatment.

COMPONEN PARTS

ITEM	PARTS	MATERIAL
1	Body	Epoxy-coated Ductile Iron
2	Bonnet	Epoxy-coated Ductile Iron
3	Screen	AISI304
4	Pin	AISI304
5	Washer	AISI304
6	Clip	AISI304
7	O-Ring	EPDM
8	Eyebolt	Carbon Steel



STANDARD SPECIFICATIONS

Nominal Pressure	PN16
Operating Temperature	-20 ~ 80°C

DIMENSIONS

SKU	DN(mm)	L(mm)	D(mm)	PCD(mm)	H(mm)	n-d	t(mm)	T(mm)	WEIGHT(Kg)
FLVDIN050	50	129	165	125	107	4-19	3	19	6.60
FLVDIN065	65	146	185	145	119	4-19	3	19	7.50
FLVDIN080	80	150	200	160	128	8-19	3	19	9.00
FLVDIN100	100	158	220	180	141	8-19	3	19	11.00
FLVDIN125	125	165	250	210	151	8-19	3	19	15.00
FLVDIN150	150	168	285	240	169	8-23	3	19	17.20
FLVDIN200	200	185	340	295	200	12-23	3	20	26.00
FLVDIN250	250	220	405	355	250	12-28	3	22	38.30
FLVDIN300	300	245	460	410	300	12-28	4	25	56.00
FLVDIN350	350	330	520	470	370	16-28	4	27	112.00
FLVDIN400	400	356	580	525	408	16-31	4	28	145.00

\*Note: The tolerance for L is ±5%.